

TOTAL MASS = 11.6 Kgs

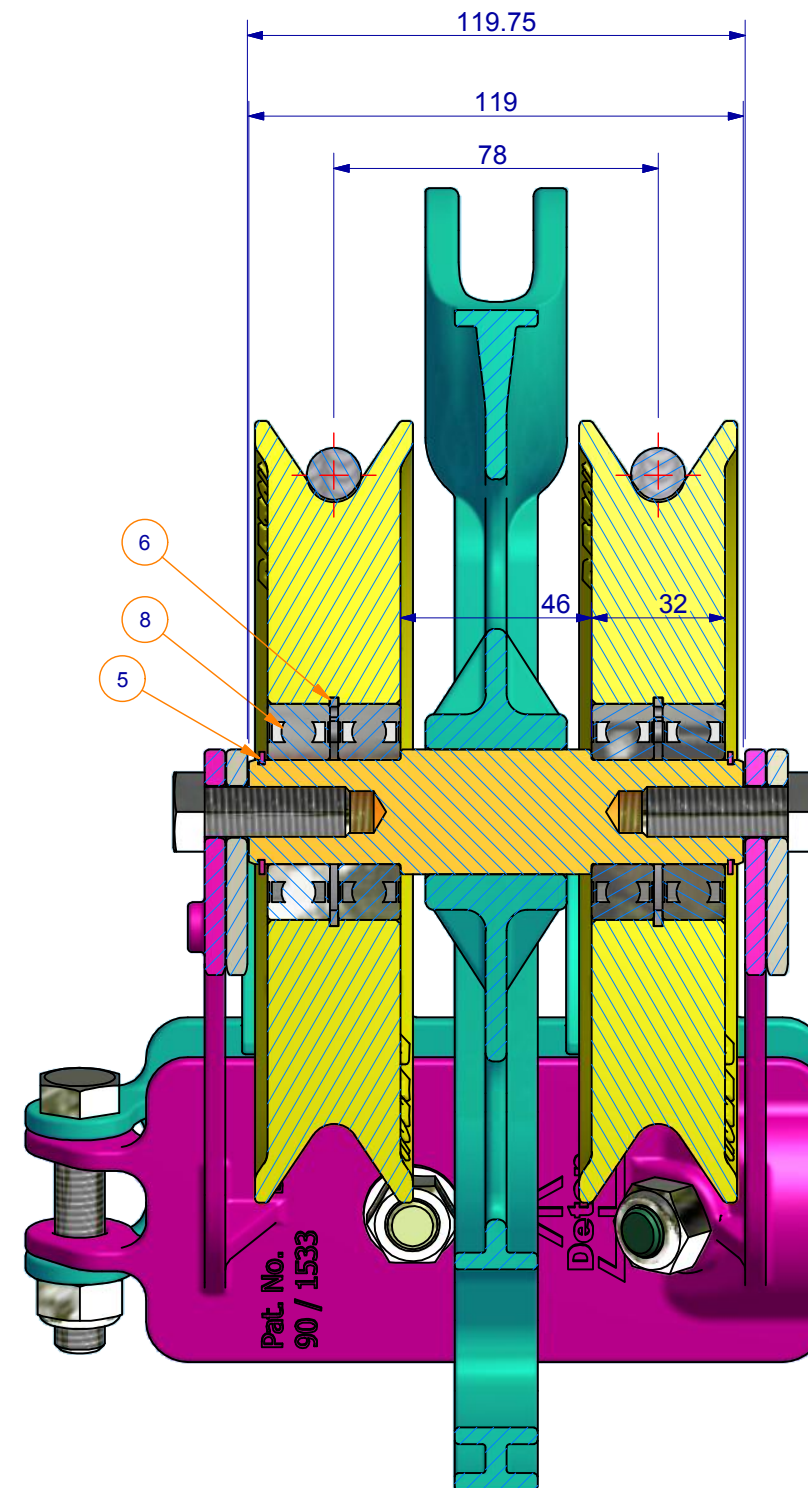
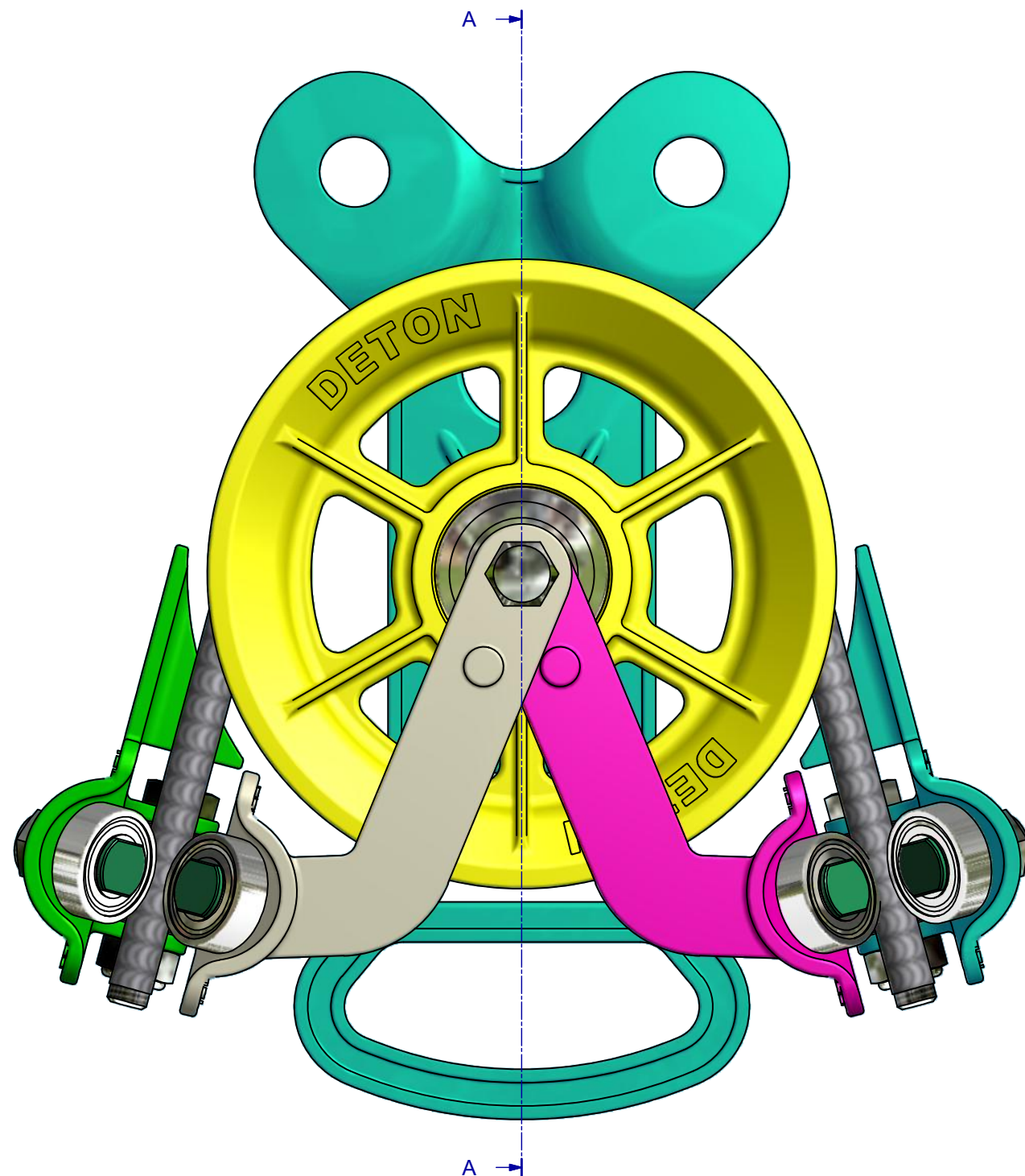
ITEM	DESCRIPTION	REQD	DRWG NO.	MATERIAL	MASS	REMARKS
8	ROLLER BEARING 6205_2RS	4		Steel, Mild	0.13 kg	
7	M12-BOLT x 35	2		Mild Steel	0.05 kg	
6	INSIDE CIRCLIP DIN 472 - 52 x 2	2		Steel, Mild	0.01 kg	
5	25-OUTSIDE CIRCLIP	2		Default	0 kg	
4	PULLEY 6 mm WALL	2	SDCF-0005-MK2	SG60	2.13 kg	
3	RIGHT HAND ASSY	1	SDCF-0004-MK2		2.23 kg	
2	PULLEY FRAME WELD ASSEMBLY	1	SCP 002 MK2	Welded Steel Mild	2.81 kg	
1	LEFT HAND ASSY	1	SDCF-0003-MK2		2.23 kg	

	THE ARTICLE IN THIS DRAWING IS THE SUBJECT OF PATENT PROTECTION. NO REPRODUCTION OR PUBLICATION OF THIS DRAWING MAY BE MADE WITHOUT THE PRIOR CONSENT OF THE OWNER, NOR MAY ANY ARTICLE BE MADE OR ASSEMBLED FROM THIS DRAWING WITHOUT SUCH CONSENT. ALL RIGHTS RESERVED UNDER THE COPYRIGHT ACT.	P.O. Box 123920 Alrode 1451 Telephone +27 (11) 908 1922 Telefax +27 (11) 864 5386 6 Barium Str. Alrode Ext 7
	TITLE: GENERAL ASSEMBLY	DESIGNED BY A. HARRIS
	NDLOVU SWILAND CORNER PULLEY MARK 2	DATE CREATED 04 / 07 / 2011
FILE NAME GENERAL ASSEMBLY.idw	DRAWING NO. SCP 001 MK2	SCALE: 1 OF 3 A3

TOLERANCE	MACHINE	FAB
0 TO 100	± 0.10	± 0.50
100 TO 500	± 0.20	± 1.00
500 TO 1000	± 0.50	± 1.50
1000 PLUS	± 1.00	± 2.00

A  
B  
C  
D  
E  
F

1 2 3 4 5 6 7 8



SECTION A-A



THE ARTICLE IN THIS DRAWING IS THE SUBJECT OF PATENT PROTECTION. NO REPRODUCTION OR PUBLICATION OF THIS DRAWING MAY BE MADE WITHOUT THE PRIOR CONSENT OF THE OWNER, NOR MAY ANY ARTICLE BE MADE OR ASSEMBLED FROM THIS DRAWING WITHOUT SUCH CONSENT. ALL RIGHTS RESERVED UNDER THE COPYRIGHT ACT

P.O. Box 123920  
Alrode 1451  
Telephone +27 (11) 908 1922  
Telefax +27 (11) 864 5386  
6 Barium Str. Alrode Ext 7

TITLE:  
GENERAL ASSEMBLY  
NDLOVU SWILAND CORNER PULLEY MARK 2

DESIGNED BY  
A. HARRIS  
DATE CREATED  
04 / 07 / 2011

TOLERANCE	MACHINE	FAB
0 TO 100	± 0.10	± 0.50
100 TO 500	± 0.20	± 1.00
500 TO 1000	± 0.50	± 1.50
1000 PLUS	± 1.00	± 2.00

FILE NAME  
GENERAL ASSEMBLY.idw

DRAWING NO.  
SCP 001 MK2

SCALE:  
SHEET  
2 OF 3 A3

A  
B  
C  
Φ  
D  
E  
F

A

B

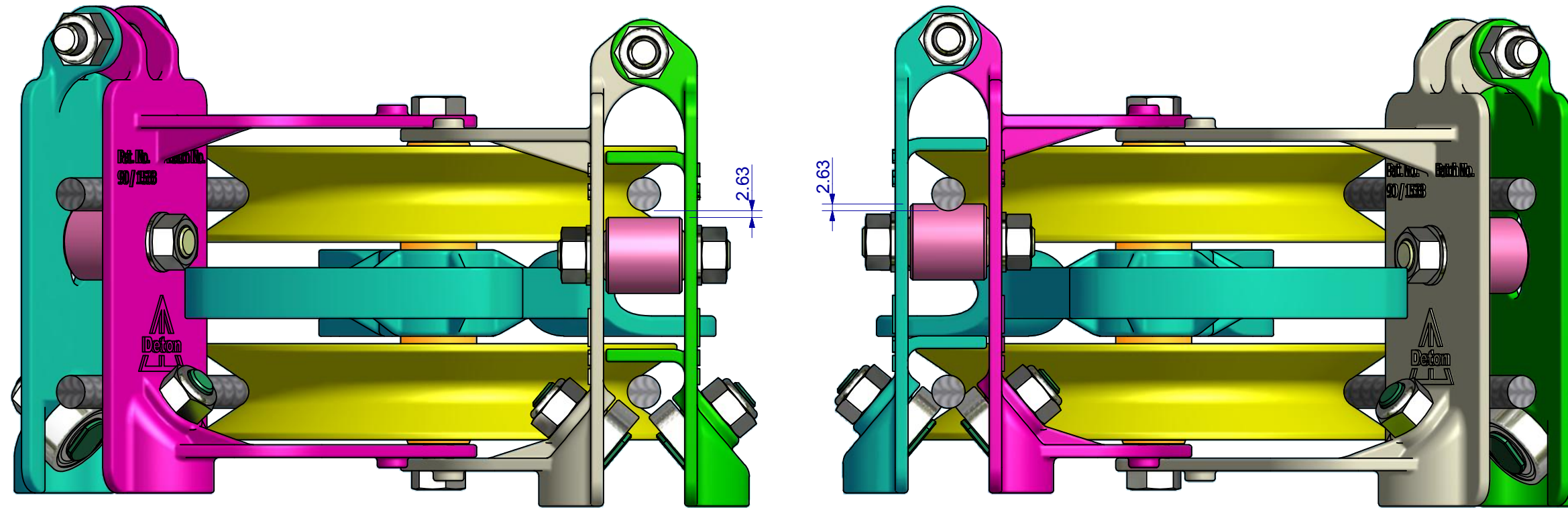
C

Φ

D

E

F



TOLERANCE	MACHINE	FAB
0 TO 100	± 0.10	± 0.50
100 TO 500	± 0.20	± 1.00
500 TO 1000	± 0.50	± 1.50
1000 PLUS	± 1.00	± 2.00



FILE NAME  
GENERAL ASSEMBLY.idw

THE ARTICLE IN THIS DRAWING IS THE SUBJECT OF PATENT PROTECTION.  
NO REPRODUCTION OR PUBLICATION OF THIS DRAWING MAY BE MADE WITHOUT  
THE PRIOR CONSENT OF THE OWNER, NOR MAY ANY ARTICLE BE MADE OR  
ASSEMBLED FROM THIS DRAWING WITHOUT SUCH CONSENT  
ALL RIGHTS RESERVED UNDER THE COPYRIGHT ACT

TITLE:  
GENERAL ASSEMBLY

NDLOVU SWILAND CORNER PULLEY MARK 2

DRAWING NO.  
SCP 001 MK2

P.O. Box 123920  
Alrode 1451  
Telephone +27 (11) 908 1922  
Telefax +27 (11) 864 5386  
6 Barium Str. Alrode Ext 7

DESIGNED BY  
A. HARRIS

DATE CREATED  
04 / 07 / 2011

SCALE:  
3 OF 3 A3

1

2

3

4

Φ

5

6

7

8